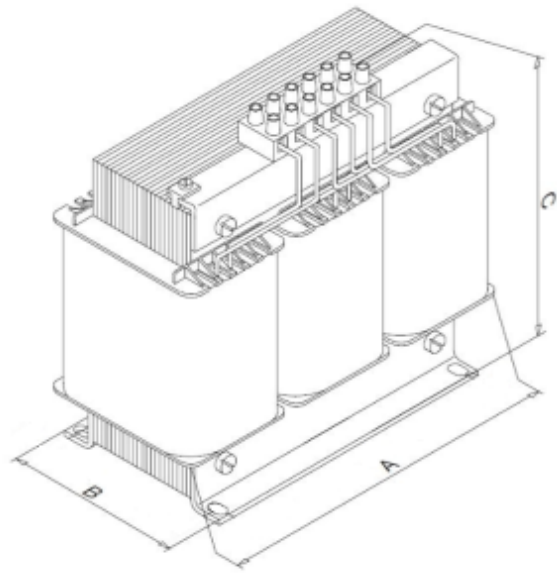


Three-phase transformer



3EI core, pursuant to	STN EN 61558-1
	STN EN 61558-2-4
	STN EN 61558-2-6
Standard type	3x400//3x230V
	3x400//3x400V
Vector group	YNyn0, Dd0, Dyn1, Yyn0

Three-phase transformers are passive devices that transfer electrical energy between circuits. In the secondary circuit, the magnetic flux induces an electromagnetic force, increasing or decreasing the voltage without changing the frequency.

The three-phase transformer has a triple iron core on which the coils of the primary and secondary sides are placed in triple. The coils of the individual phases of the primary and secondary windings can be connected in different ways, allowing a large number of phase combinations, e.g.: YNyn0, Dd0, Dyn1, Yyn0, Yz0, Yy, Dy.

Version IP00 or in IP23 cover							
	Type	Capacity	A	B	C	weight kg	weight kg
		VA	mm	mm	mm	IP00	IP23
Three-phase transformer	T3N-3	1000	230	107	270	12	16
Three-phase transformer	T3N-3	1500	230	117	270	18	22
Three-phase transformer	T3N-3	2000	300	122	310	22	27
Three-phase transformer	T3N-3	3150	300	135	310	33	38
Three-phase transformer	T3N-3	4000	300	147	320	43	52
Three-phase transformer	T3N-3	5000	360	220	380	49	57
Three-phase transformer	T3N-8	6300	360	220	380	66	73
Three-phase transformer	T3N-8	8000	425	205	410	71	80
Three-phase transformer	T3N-8	10000	425	235	410	89	100
Three-phase transformer	T3N-12,5	15000	425	246	410	104	120
Three-phase transformer	T3N-12,5	17000	475	225	450	112	125
Three-phase transformer	T3N-12,5	20000	475	255	450	125	140
Three-phase transformer	T3N-12,5	25000	480	210	450	145	160
Three-phase transformer	T3N-12,5	30000	480	220	450	170	193
Three-phase transformer	T3N-12,5	40000	600	390	600	240	265
Three-phase transformer	T3N-12,5	50000	600	420	600	290	315
Three-phase transformer	T3N-12,5	63000	600	420	600	365	390
IP00 - classic version							
IP23 - with IP 23 cover							

THERMAL CLASS	F /155°C/
VOLTAGE WITHSTAND	PRI / SEC 4,75kV 50Hz
SHORT-CIRCUIT RESISTANCE	NOT SHORT-CIRCUIT RESISTANT
PROTECTION	Circuit breaker according to the label with characteristic "D"
PROTECTION	IP00 - IP23
AMBIENT TEMPERATURE	T40