

Transformer covers IP23

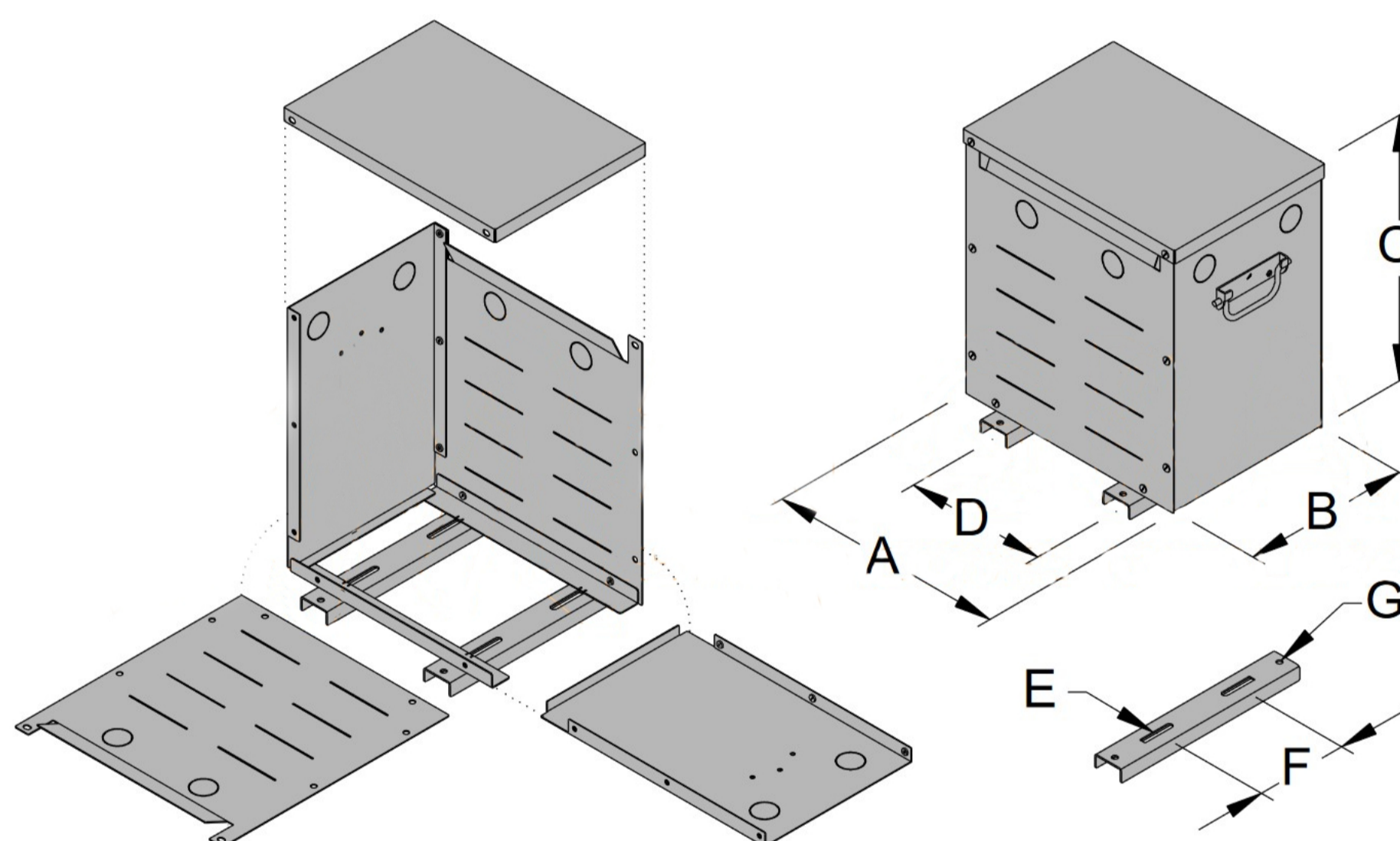


Transformer boxes are designed for vertical mounting of various types of single-phase, three-phase, medical transformers. We offer covers for chokes and transformers that are IP23 rated. They are made of sheet steel, which is powder-coated in RAL 7035. The terminal blocks can be accessed by removing the top cover.

The cover has been designed to ensure good cooling of the equipment inside, while at the same time sufficiently protecting it from harmful factors. The covers are equipped with air vents to ensure proper air circulation inside the cover. Our standard covers for chokes and transformers are IP23 rated and provide protection against both solid objects and splash water 60° vertically.

Upon prior agreement, it is possible to produce a metal cover with dimensions other than those shown in the table.

We reserve the right to changes due to the continuous development of the products offered.



Type	Dimension	Core	Dimensions (mm)							Weight(kg)
			A	B	C	D	E	F	G	
CTP30		EI 150	240	140	270	140	32,5 x 9	46,5	Ø9	3,5
CTP40		EI 200	280	175	320	200	32,5 x 9	81,5	Ø9	4,5
CTP50	3UI 150	EI 250	340	240	370	200	48,5 x 9	130,5	Ø9	7,5
CTP60	3UI 180	EI 300	400	240	420	300	49 x 9	130	Ø9	9,0
CTP70	3UI 210	EI 350	460	300	470	300	60,5 x 9	178,5	Ø9	13,0
CTP80	3UI 240	EI 400	520	320	520	400	67,5 x 9	192,5	Ø9	16,0
CTP90		EI 450	590	340	600	400	61,5 x 12	217,5	Ø11	21,0
CTP100	3UI 300	EI 500	650	360	650	500	61 x 12	239	Ø11	23,0
SAM05	3UI 240	EI 400	710	440	670					26,0